



PARTS CATALOG

Model

ELIT 2500

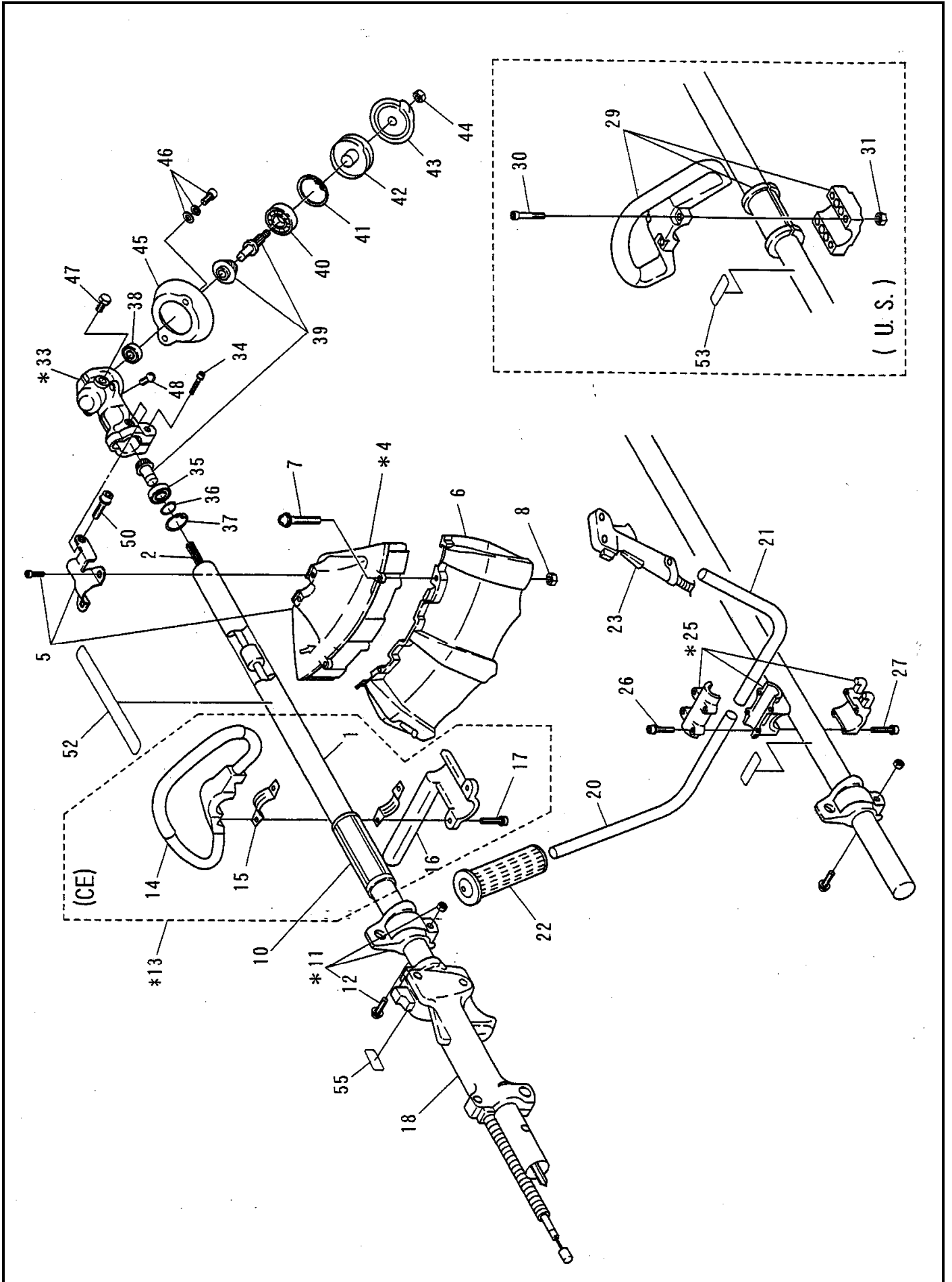
(BH2500 AU)

WORMS

MACHINE BODY,
CONTROL LEVER ASSY,
ENGINE BODY,
CARUBURETOR & AIR CLEANER,
RECOIL STARTER·FUEL TANK& COVER,
FLYWHEEL&CLUTCH,
STANDARD ACCESSORIES,

MACHINE BODY

ELIT 2500 (BH2500 AU) PARTS LIST



MACHINE BODY

WORMS entreprises

ELIT 2500 (BH2500 AU) PARTS LIST

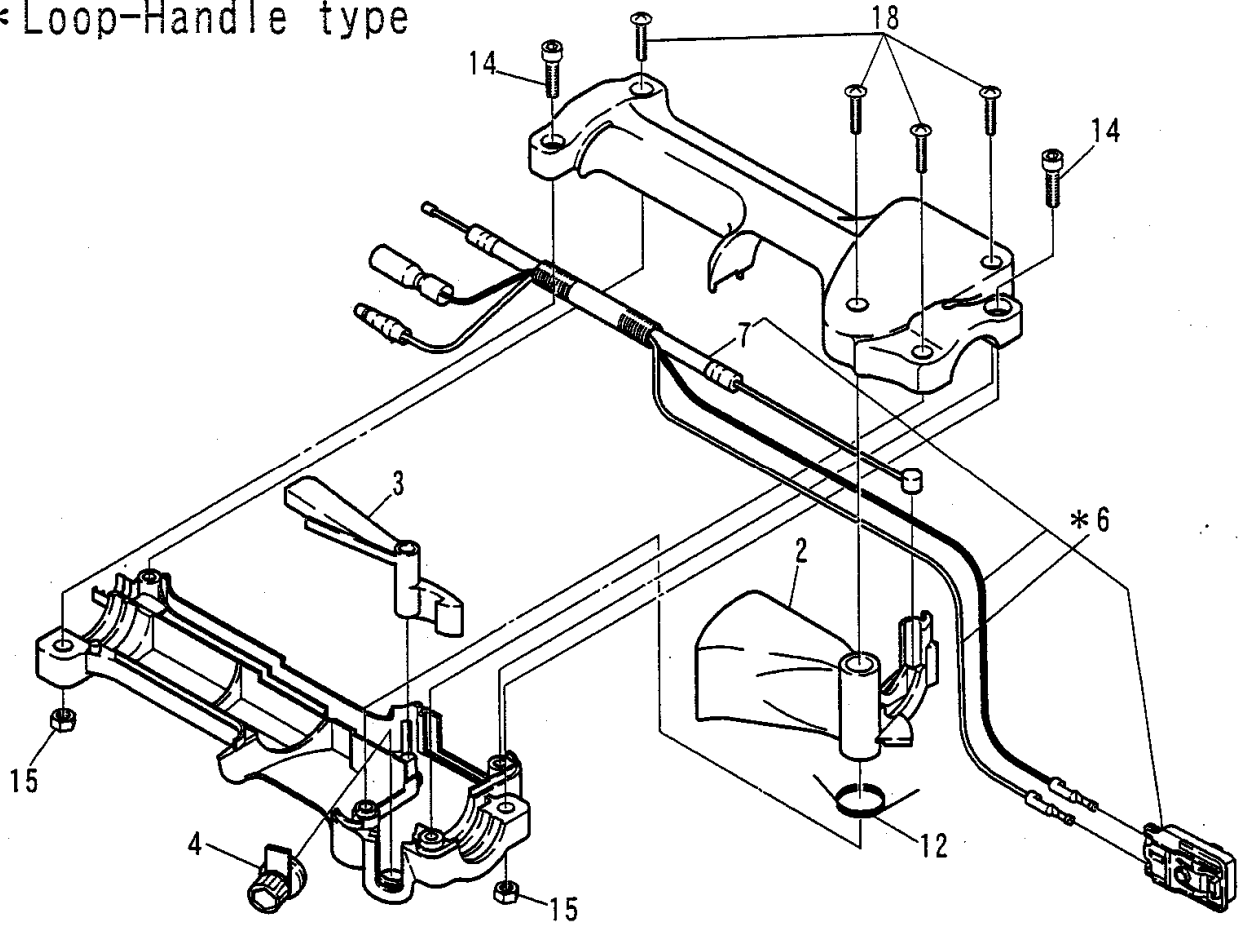
KEY NO.	PART NO.	DESCRIPTION	Q'TY			REMARKS
			CE		U.S.	
			(A)	(AU)	(A)	
1	6241002002	PIPE SHAFT COMPL		1		
2	6191500401	SHAFT		1		
*4	6258046002	PROTECTOR ASSY		1		Incl.5 to 8
5	6258050000	PROTECTOR ASSY		1		
6	6258053002	PROTECTOR COMPL		1		
7	0043605400	SCREW ASSY		2		M5x40 WS W
8	0021805000	NUT		2		M5
10		SPACER				
*11	6254019000-2	HANGER ASSY		1		Incl.12
12	0043605200	SCREW ASSY		1		M5x20 W SW
*13		HANDLE COMPL				Incl.14 to 17
14		LOOP HANDLE				
15		GUARD STAY				
16		LOOP HANDLE BAR				
17		SOCKET HEAD BOLT				M6x20 SW
*18		CONTROL LEVER ASSY				
20	6214501600	HANDLE		1		
21	6214502000	HANDLE		1		
22	6254500000	GRIP		1		
*23	6245002000	CONTROL LEVER ASSY		1		
*25	6254007001	HOLDER HANDLE ASSY		1		Incl.26
26	0119059840	SOCKET HEAD BOLT		4		M5x25 SW
27	0119059890	SOCKET HEAD BOLT		4		M5x25 SW
29		HANDLE COMPL				
30		SOCKET HEAD BOLT				M5x33
31		NUT				M5
*33	6213017003	CASE GEAR ASSY		1		Incl.34 to 48
34	0119059890	SOCKET HEAD BOLT		1		M5*25 SW
35	6212500300	BALL BEARING		1		609ZZ
36	0031508000	SNAP RING OUTER		1		
37	0031424000	SNAP RING INNER		1		
38	0600069990	BALL BEARING		1		626ZZ
39	6213021000	GEAR SET		1		
40	0600109930	BALL BEARING		1		6000DDU
41	0031426000	SNAP RING INNER		1		
42	6218501601-1	WASHER RECEIVE		1		
43	6218003000	WASHER CLAMP COMPL		1		
44	6258505001	NUT		1		M8(C.CLOCK W)SW
45	6218500200-1	GUARD		1		

MACHINE BODY

WORMS enterprises

ELIT 2500 (BH2500 AU) PARTS LIST

*Loop-Handle type

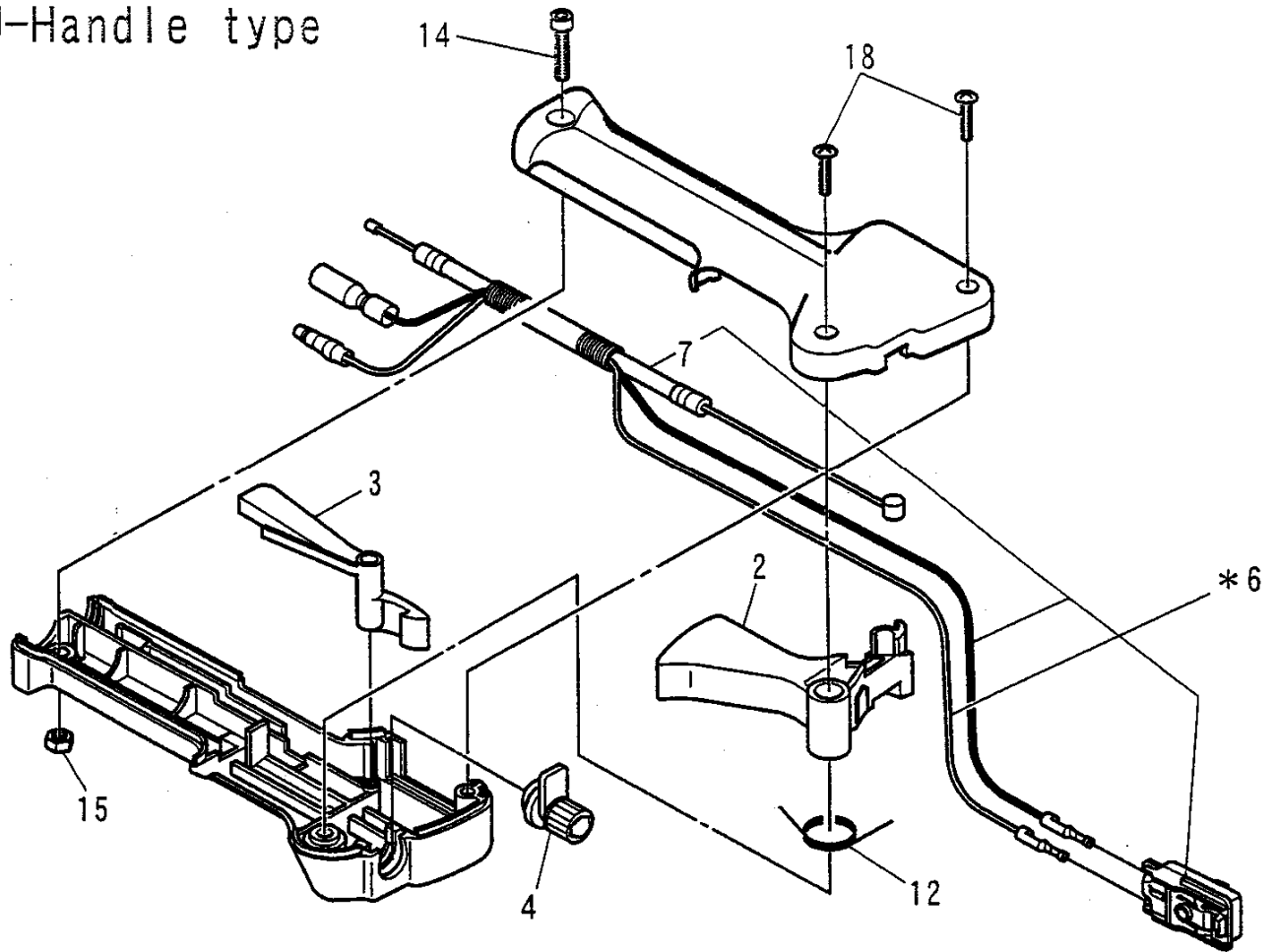


KEY NO.	PART NO.	DESCRIPTION	Q'TY	REMARKS
2		LEVER		
3		LEVER		
4		ADJ COMPL		
*6		WIRE SET		Incl.7
7		WIRE COMPL		
12		SPRING		
14		SOCKET HEAD BOLT		M5x20
15		NUT		M5
18		TAPPING SCREW		M4x20

CONTROL LEVER ASSY

ELIT 2500 (BH2500 AU) PARTS LIST

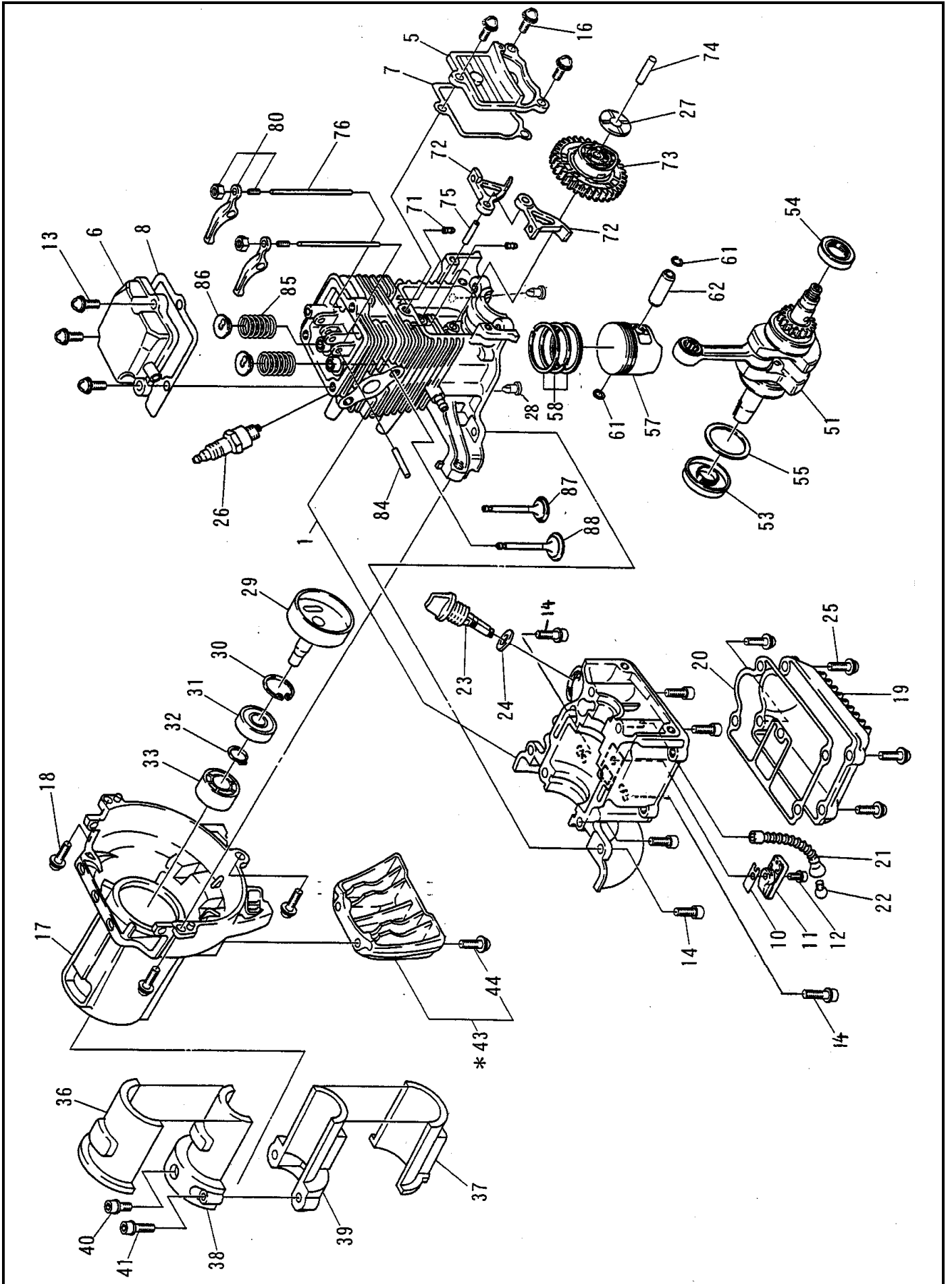
*U-Handle type



KEY NO.	PART NO.	DESCRIPTION	Q'TY	REMARKS
2	6215022030	LEVER	1	
3	6215023060	LEVER	1	
4	6215023050	ADJ COMPL	1	
*6	6245002010	WIRE SET	1	Incl.7
7	6245002020	WIRE COMPL	1	
12	6195006050	SPRING	1	
14	0119059980	SOCKET HEAD	1	M5x30
15	6215022040	NUT	1	M5
18	6195006060	TAPPING SCR	2	M4x20

ENGINE BODY

ELIT 2500 (BH2500 AU) PARTS LIST



ENGINE BODY

WORMS entreprises

ELIT 2500 (BH2500 AU) PARTS LIST

KEY NO.	PART NO.	DESCRIPTION	Q'TY	REMARKS
1	5921005002	CYLINDER BLOCK SET	1	
5	5921500502	COVER CAM GEAR	1	
6	5921004001	ROCKER COVER COMPL	1	
7	5921500700	GASKET COVER CAM GEAR	1	
8	5921500800	GASKET ROCKER COVER	1	
10	5921501000	LEAD VALVE	1	
11	5921501100	RETAINER PLATE	1	
12	0119049980	SOCKET HEAD BOLT	1	M4x10 SW
13	0043605160	SCREW ASSY	3	M5x16 W SW
14	0119059510	SOCKET HEAD BOLT	8	M5x14
16	0043605140	SCREW ASSY	3	M5x14 W SW
17	6241500203	CASE CLUTCH	1	
18	0043605160	SCREW ASSY	3	M5x16 W SW
19	5926500000-1	CASE OIL	1	
20	5926500100	GASKET CASE	1	
21	5926500200-1	TUBE OIL	1	
22	5926500300	WEIGHT OIL	1	
23	5926500600	OIL GAUGE	1	
24	0213160010	GASKET	1	
25	0043605180	SCREW ASSY	4	M5x18 W SW
26	0650109950	PLUG SPARK	1	CMR6A
27	5923503800	WASHER	1	NYLON 6
28	5921501800	CHECK VALVE	2	
29	6242003000	DRUM CLUTCH COMPL	1	
30	0031432000	SNAP RING INNER	1	
31	0600129950	BALL BEARING	1	6201DD
32	0031512000	SNAP RING OUTER	1	
33	6241500300	SPACER	1	
36	6241500401	DAMPER PIPE 1	1	
37	6241500501	DAMPER PIPE 2	1	
38	6241500601	BRACKET PIPE 1	1	
39	6241500701	BRACKET PIPE 2	1	
40	0119059900	SOCKET HEAD BOLT	1	M5x12 SW
41	0119059950	SOCKET HEAD BOLT	2	M5x18 SW
*43	5219002000	STAND SET	1	Incl.44
44	0140059480	SCREW	2	M5x14 W SW

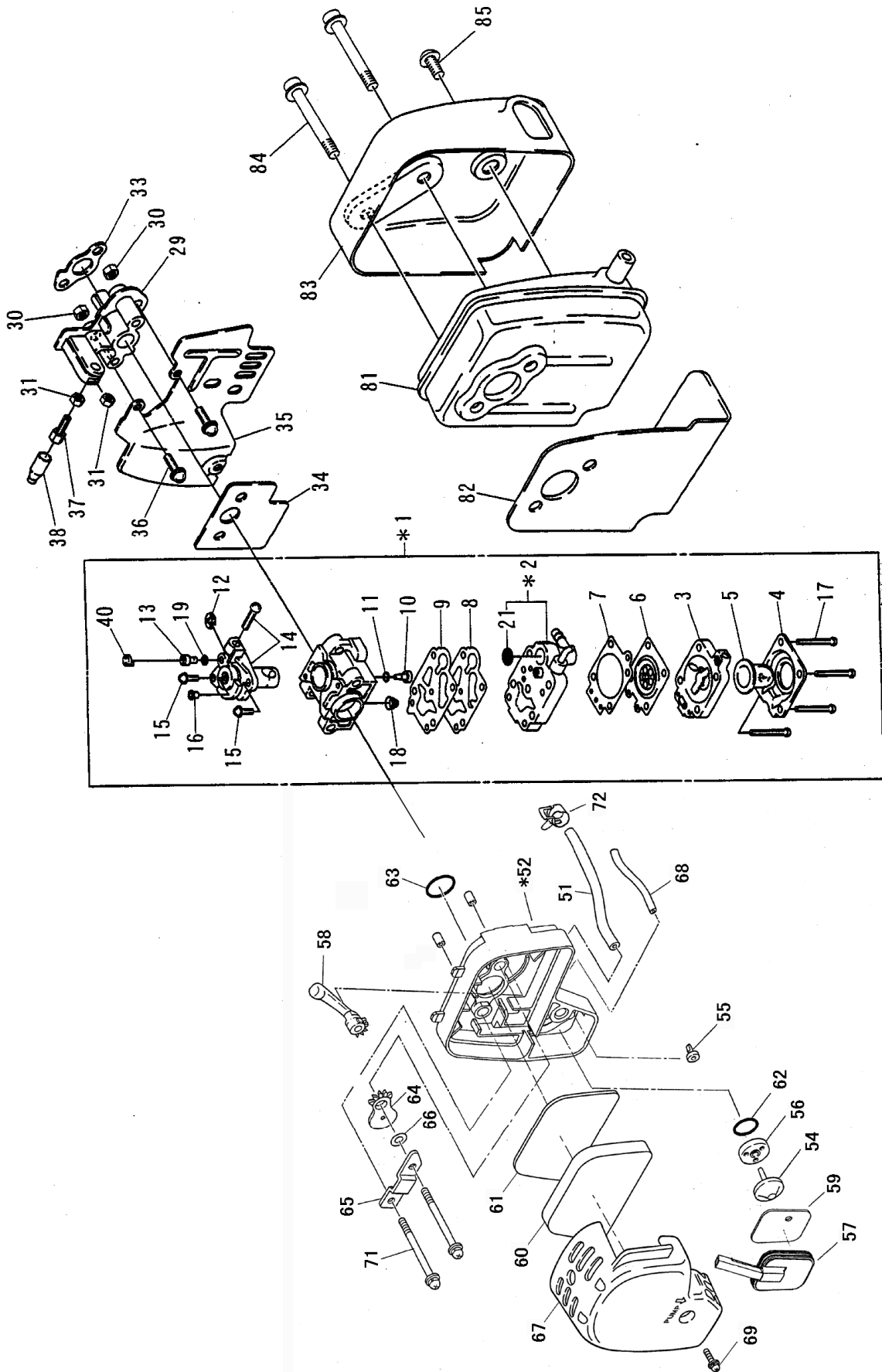
ENGINE BODY

ELIT 2500 (BH2500 AU) PARTS LIST

KEY NO.	PART NO.	DESCRIPTION	Q'TY	REMARKS
51	5922003000	CRANK SHAFT ASSY	1	
53	0440129960	OIL SEAL(L)	1	TC12286
54	0440109970	OIL SEAL(S)	1	TC10205
55	5421500500	CLIP	1	
57	5922500900	PISTON	1	
58	5922004000	PISTON RING SET	1	
61	0565089970	CLIP	2	
62	5232502600	PIN PISTON	1	
71	5921501400	SPACER	2	
72	5923500001-1	CAMLIFTER	2	
73	5923007000-2	CAMGEAR ASSY	1	
74	5923500501	SHAFT CAMGEAR	1	ϕ 5x21.8
75	5923500600	SHAFT CAMLIFTER	1	ϕ 4x15.8
76	5923500700	PUSH ROD	2	
80	5923002000	ROCKE ARM ASSY	2	
84	5923501101	ROCKER SHAFT	1	ϕ 4x28.8
85	5923501200	VALVE SPRING	2	
86	5923501300	RETAINER SPRING	2	
87	5923501400	EXHAUST VALVE	1	
88	5923501500	INTAKE VALVE	1	

CARBURETOR & AIR CLEANER

ELIT 2500 (BH2500 AU) PARTS LIST



CARBURETOR & AIR CLEANER

WORMS entreprises

ELIT 2500 (BH2500 AU) PARTS LIST

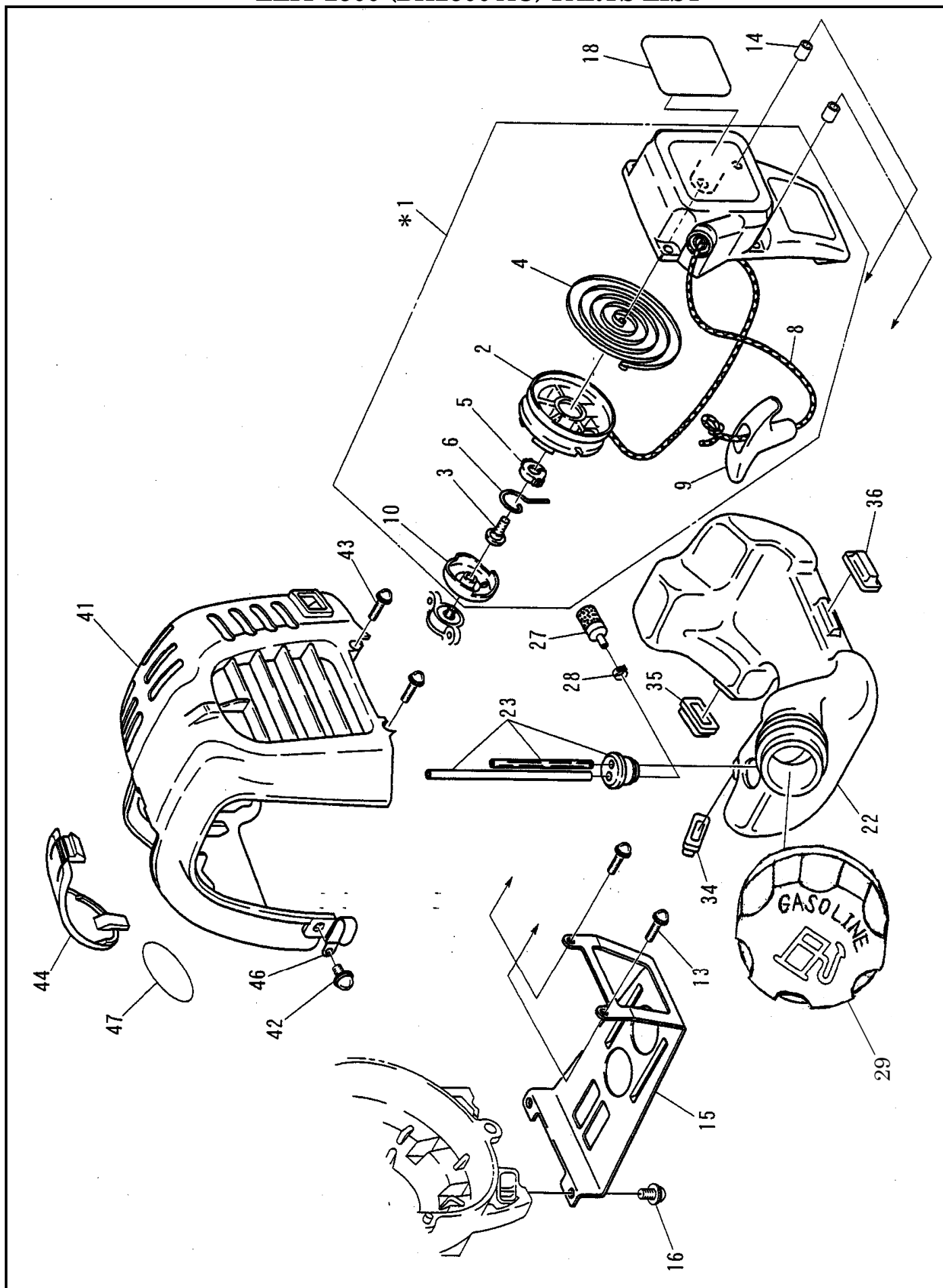
KEY NO.	PART NO.	DESCRIPTION	Q'TY		REMARKS
			CE	U.S.	
*1	5926002002	CARBURETOR	1		WYL Incl.x2 to 19
*2	5926002060	BODY ASSY PUMP	1		Incl.21
3	5236046140	BODY ASSY AIR PURGE	1		
4	5236046050	COVER PRIMER PUMP	1		
5	5246001150	PUMP PRIMER	1		
6	5316005250	DIAPHRAGM ASSY MET.	1		
7	5236046040	GASKET METERING DIA.	1		
8	5246001040	DIAPHRAGM PUMP	1		
9	5926002040	GASKET PUMP	1		
10	5926002110	JET	1		
11	5246001010	O-RING	1		
12	5316005120	RING SPRING RETAINING	1		
13	5236018040	SWIVEL	1		
14	5926002010	VALVE ASSY-THROTTLE	1		
15	5206008030	SCREW THROTTLE COLLAR	2		
16	5206008110	PLUG	1		
17	5236046010	SCREW PUMP COVER	4		
18	5926002020	SPRING PUMP	1		
19	5426005030	WASHER	1		
21	5016004010	SCREEN INLET	1		
29	5923005001	INSULATOR COMPL	1		Incl. 30,31
30	0170059980	NUT	2		M5
31	0022706000	NUT	2		M6
33	5923501801	GASKET INSULATOR	1		
34	5923501900	GASKET,CARBURETOR	1		
35	5923502000	INSULATOR CARBURETOR	1		
36	0043605180	SCREW ASSY	2		M5x18 W SW
37	0149069972	ADJUST SCREW	1		M6x16
38	5246004150	CAP	1		
40	5259500300	CAP	1		*U-Handle only
51	5931500900	PIPE BREATHER	1		
52	5933001000	PLATE CLEANER ASSY	1		Incl.54 to 59,63
54	5316500701	CHECK VALVE	1		
55	5923502400	CHECK VALVE(1)	1		
56	5923502500	PLATE CHECK VALVE	1		

CARBURETOR & AIR CLEANER

ELIT 2500 (BH2500 AU) PARTS LIST

KEY NO.	PART NO.	DESCRIPTION	Q'TY		REMARKS
			CE	U.S.	
57	5933501600	PLATE SEPARATOR	1		
58	5923502200-1	LEVER CHOKE	1		
59	5923503500	GASKET SEPALATOR	1		
60	5933501200-1	ELEMENT AIR CLEANER	1		
61	5933500900	ELEMENT AIR CLEANER	1		
62	0240139970	O-RING	1		
63	0240159990	O-RING	1		P15
64	5923502301	PLATE CHOKE	1		
65	5923502600	PLATE	1		
66	0213069990	GASKET	1		
67	5933500800	COVER AIR CLEANER	1		
68	5923503001	PIPE	1		
69	0140059480	SCREW	1		M5x14 W SW
71	5923503100	SCREW	2		M5x68 W SW(SUS)
72	0561080010	HOSE CLAMP	1		
81	5923001000	MUFFLER EXHAUST	1		
82	5923501601	GASKET MUFFLER	1		
83	5923503400	COVER MUFFLER	1		
84	0119059520	SOCKET HEAD BOLT	2		M5x40 W
85	0140059962	SCREW	1		M5x6

ELIT 2500 (BH2500 AU) PARTS LIST



RECOIL STARTER, TANK&COVER

WORMS entreprises

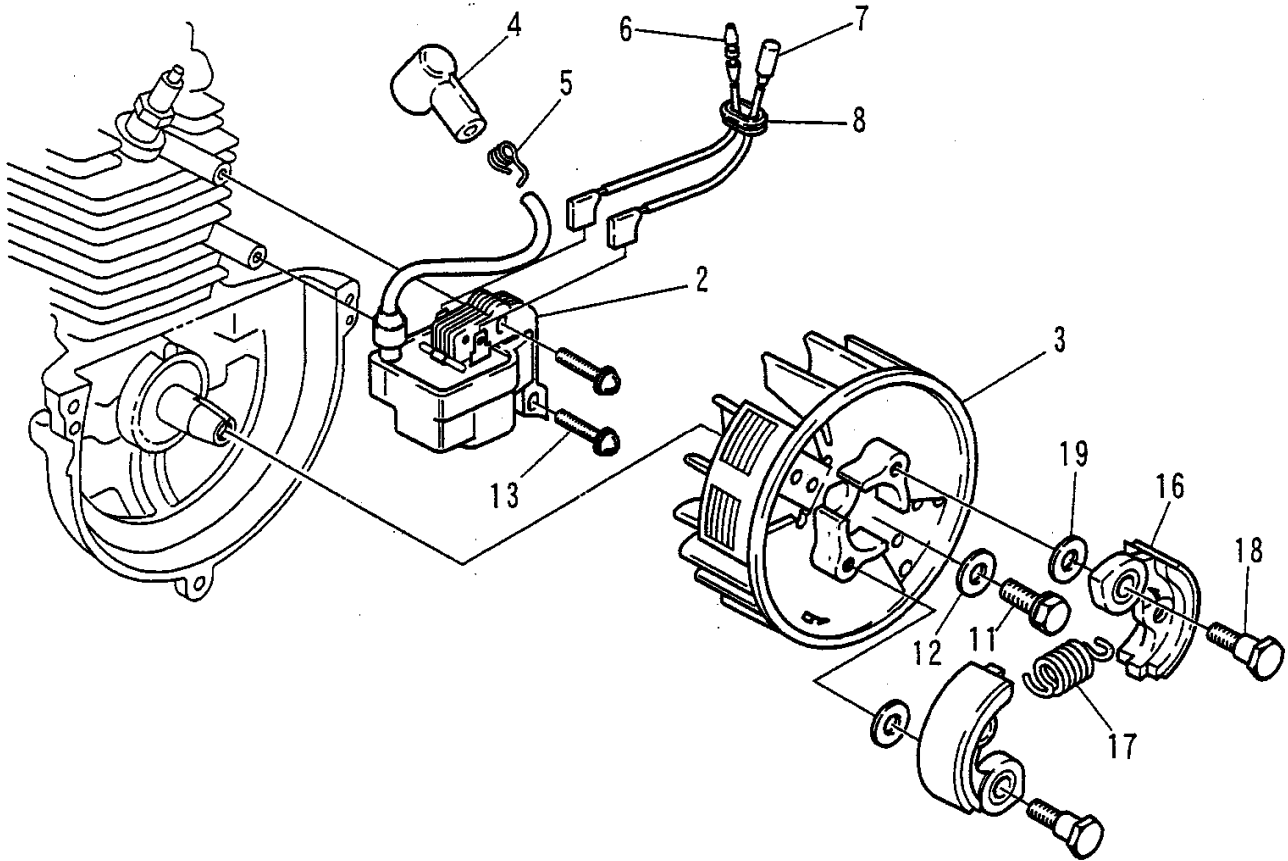
ELIT 2500 (BH2500 AU) PARTS LIST

KEY NO.	PART NO.	DESCRIPTION	Q'TY	REMARKS
*1	5925001002	STARTER REWIND	1	Incl.2 to 10
2	5925001030	REEL	1	T =0.8
3	5195002060	SET SCREW	1	
4	5215002030	SPIRAL SPRING	1	4x0.4
5	5195002110	COLLAR	1	
6	5195002100	SWING ARM	1	φ 1.4
8	5925001050	STARTER ROPE	1	φ 2.8
9	5225004020	STARTER KNOB	1	
10	5195500000	PULLEY	1	
13	0043604250	SCREW ASSY	2	M4x25 W SW
14	0230049940	SPACER	2	
15	5929500800	TANK GUARD	1	
16	0043605100	SCREW ASSY	2	M5x10 W SW
18		LABEL MODEL	1	
22	5926500400	TANK FUEL	1	
23	5926003000	TUBE	1	
27	5236503900	FILTER	1	
28	0561059990	HOSE CLAMP	1	
29	5926017000	CAP FUEL TANK ASSY	1	WITH STRAP
34	5036500200-1	PLATE	1	
35	5036500300-1	PLATE	1	
36	5196500301	DAMPER	1	
41	5925501500	COVER CYLINDER	1	
42	0043605100	SCREW ASSY	2	M5x10 W SW
43	0043604160	SCREW ASSY	2	M4x16 W SW
44	5927500000	COVER PLUG	1	
46	0566059980	CLAMP	1	
47		LABEL TRADE MARK	1	

FLYWHEEL&CLUTCH

WORMS enterprises

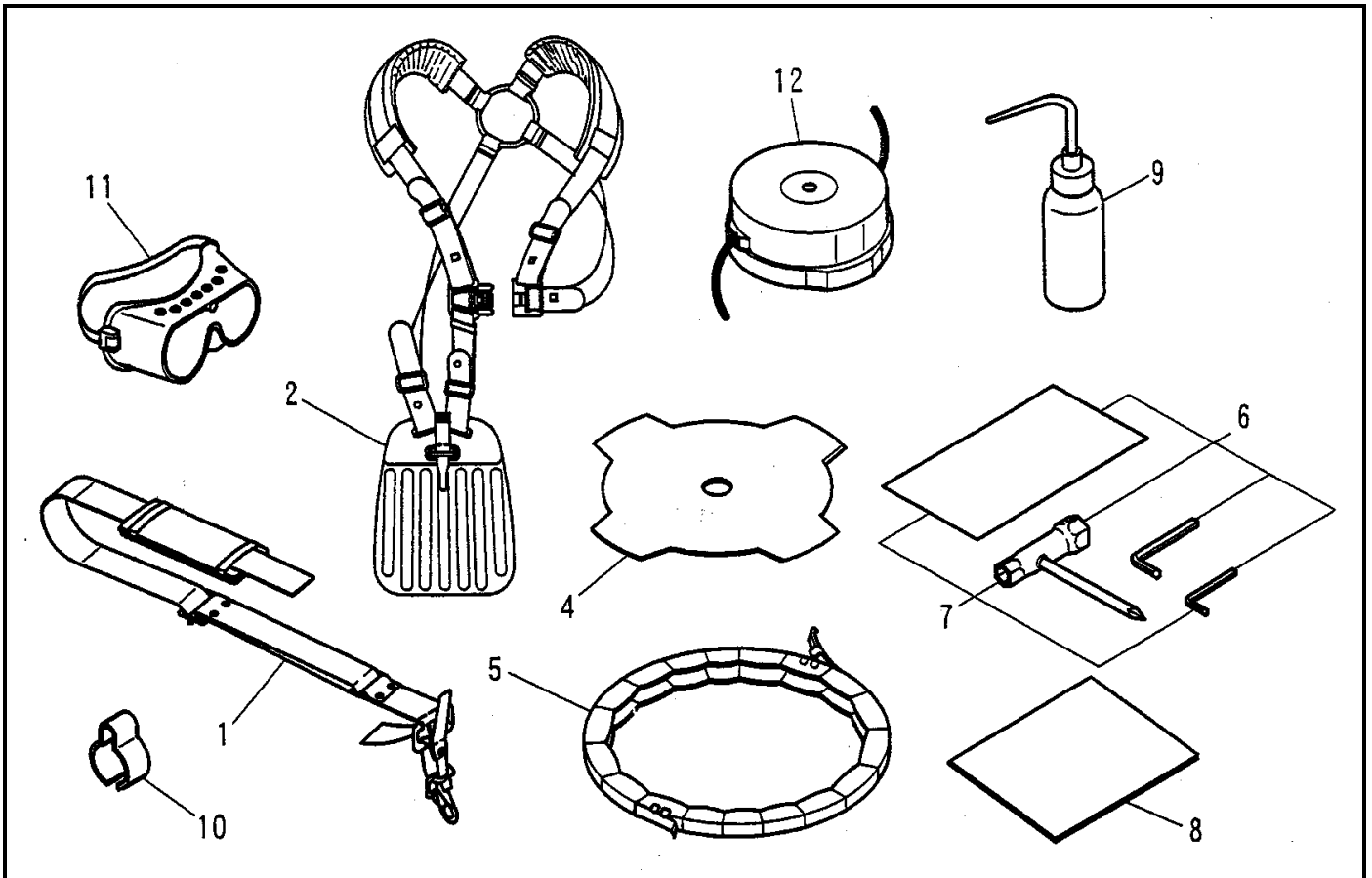
ELIT 2500 (BH2500 AU) PARTS LIST



KEY NO.	PART NO.	DESCRIPTION	Q'TY	REMARKS
2	5927001010	IGNITIONCOIL	1	
3	5927001020	FLYWHEEL	1	
4	5927500100	CAP PLUG	1	
5	0654009931	SPRING PLUG CAP	1	
6	5927003000	WIRE COMPL	1	
7	5257018001-1	WIRE COMPL	1	
8	5257500300	GROMMET	1	
11	0011306160	BOLT ASSY	1	M6x16 SW
13	0031206000	WASHER	1	
13	0140049920	SCREW	2	M4x20 W SW
16	5928500000	SHOE CLUTCH	2	
17	5928500100	SPRING	1	
18	5928500200	BOLT CLUTCH	2	
19	5928500300	WASHER	2	

ACCESSORIES

ELIT 2500 (BH2500 AU) PARTS LIST



KEY NO.	PART NO.	DESCRIPTION	Q'TY			REMARKS
			CE SPEC.		U.S.	
			(A)	(AU)	(A)	
1		BAND ASSY				
2	6247001001	BAND ASSY		1		
4	6208501400-1	CUTTER		1		
5	6418500701	COVER CUTTER		1		
6		TOOL				
7	6249000000	TOOL		1		
9	0722105000	BOTTLE OIL		1		
10	6111502700	CLAMP WIRE		2		
11	6029015000	PROTECTOR		1		
12	6418018000	CUTTER ASSY		1		U-4